

MAVERICK SPOT LIGHT

TECHNICAL SHEET
KL-SP00012

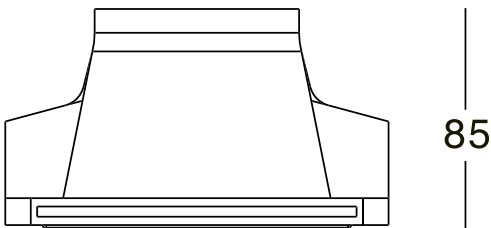
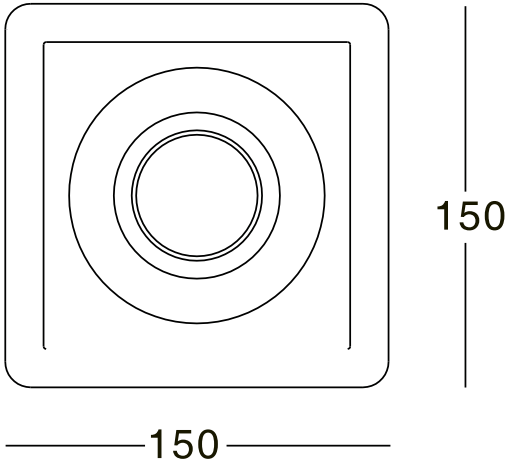


KEYLIGHT

SPAIN

PRODUCTOS DE ILUMINACION

DRAWING



SPECIFICATIONS

Product Code	KL-SP00012
Power	GU10/MR16
Input	220-240V
Material	Gypsum
Dimensions	150mm*150mm*85mm
Cut-out	153mm*153mm

